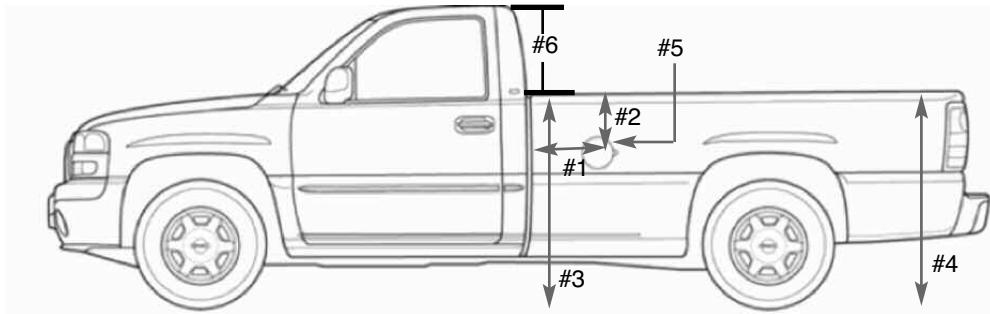


F. Barkow Inc.
 3830 N. Fratney St.
 Milwaukee, WI 53212



Phone (414) 332-7311
 (800) 558-5580
 Fax (414) 332-8217



MEASUREMENTS

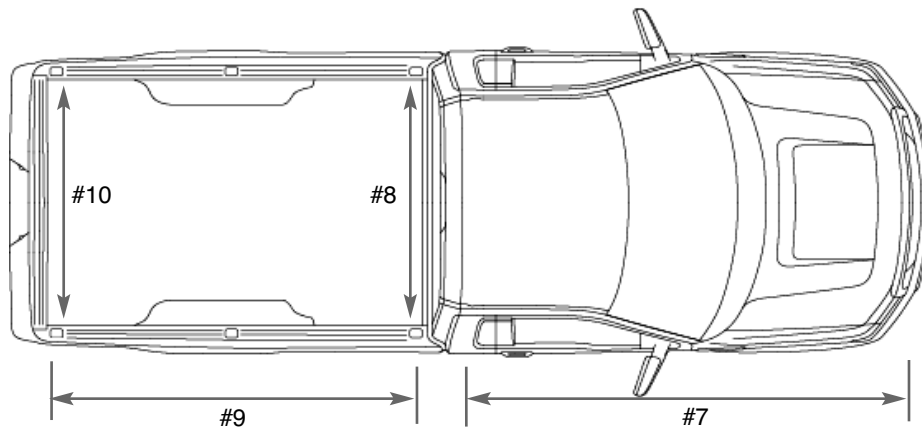
Gross Vehicle Weight _____

#1) Front of Bed to Center of Fuel Door: _____ #4) Top of Bed to Ground - Rear of Bed: _____

#2) Top of Bed to Center of Fuel Door: _____ #5) Fuel Door Dimensions:
 Diameter if Round: _____

#3) Top of Bed to Ground - Front of Bed: _____
 Length & Width if Rectangular: _____

#6) Top of Bed to Top of Cab: _____



MEASUREMENTS

#7) Front Bumper to Back of Cab: _____

#8) Interior Bed, Useable Width Front: _____

#9) Interior Bed, Useable Length: _____

#10) Interior Bed, Useable Width Rear: _____