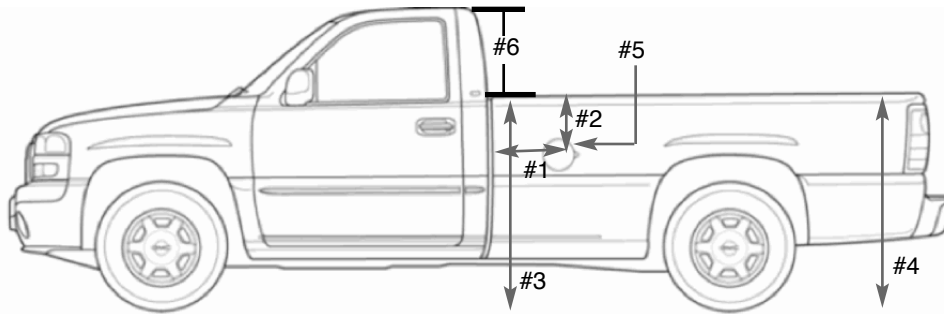


F. Barkow Inc.  
 3830 N. Fratney St.  
 Milwaukee, WI 53212



Phone (414) 332-7311  
 (800) 558-5580  
 Fax (414) 332-8217



MEASUREMENTS

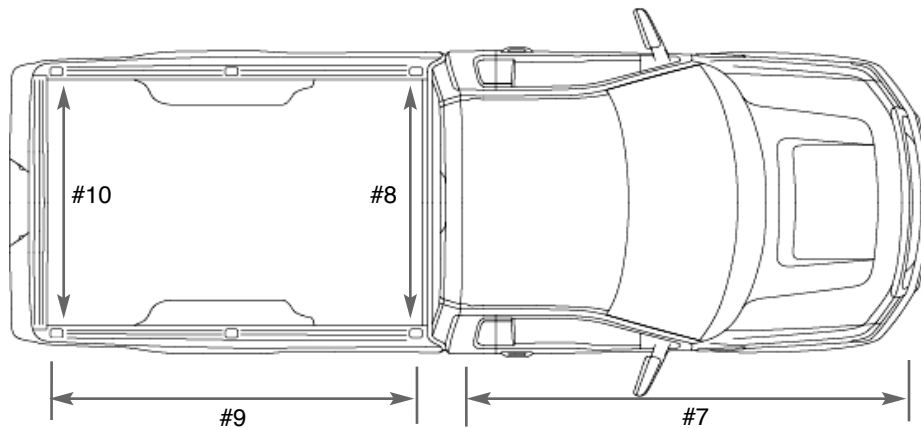
Gross Vehicle Weight \_\_\_\_\_

#1) Front of Bed of Center of Fuel Door: \_\_\_\_\_ #4) Top of Bed to Ground - Rear of Bed: \_\_\_\_\_

#2) Top of Bed to Center of Fuel Door: \_\_\_\_\_ #5) Fuel Door Dimensions:  
 Diameter if Round: \_\_\_\_\_

#3) Top of Bed to Ground - Front of Bed: \_\_\_\_\_  
 Length & Width if Rectangular: \_\_\_\_\_

#6) Top of Bed to Top of Cab: \_\_\_\_\_



MEASUREMENTS

#7) Front Bumper to Back of Cab: \_\_\_\_\_

#8) Interior Bed, Useable Length: \_\_\_\_\_

#9) Interior Bed, Useable Width Front: \_\_\_\_\_

#10) Interior Bed, Useable Width Rear: \_\_\_\_\_