



## Barkow 500 Series Glass/Stone Carrier Mounting Instructions

Thank you for purchasing a Barkow glass/stone carrier. With proper care, your glass/stone carrier should give you many years of dependable service. Please read the following instructions carefully before you begin installation.

### Installation Instructions

#### Step 1 – Position the Carrier

1. Ensure the driver's seat is fully extended back. Place the carrier inside the van as far back as possible. See Diagram A.

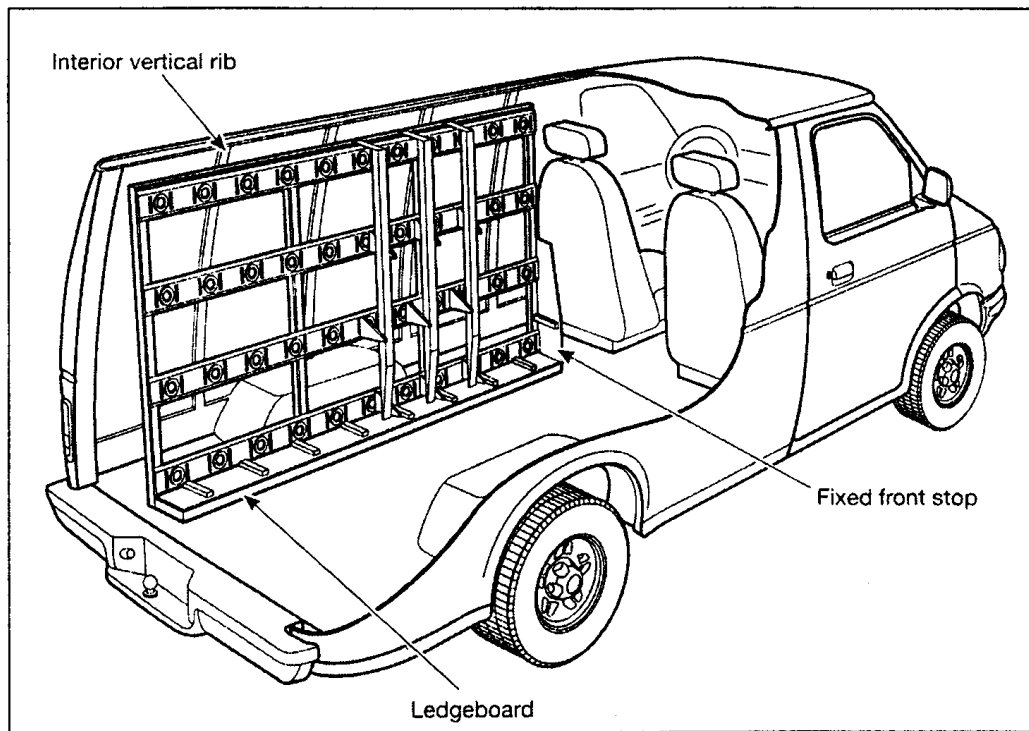
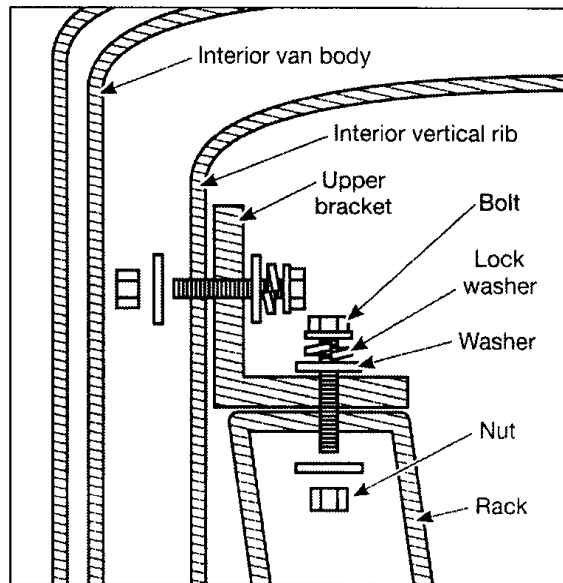


Diagram A

2. Use the screws that are provided to fasten the brackets to the roof bows and top rail of the carrier. The brackets may have to be cut to fit. See Diagram B.

Diagram B



3. Be sure the carrier has a pitch of approximately four degrees and that the stakes move in and out easily.
4. Drill two 3/8" holes through the ledgeboard of the carrier. Inspect underneath the van for correct placement and drill through the floor of the van.
5. Insert and fasten the 3/8" x 4" long bolts. See Diagram C.

Diagram C

